

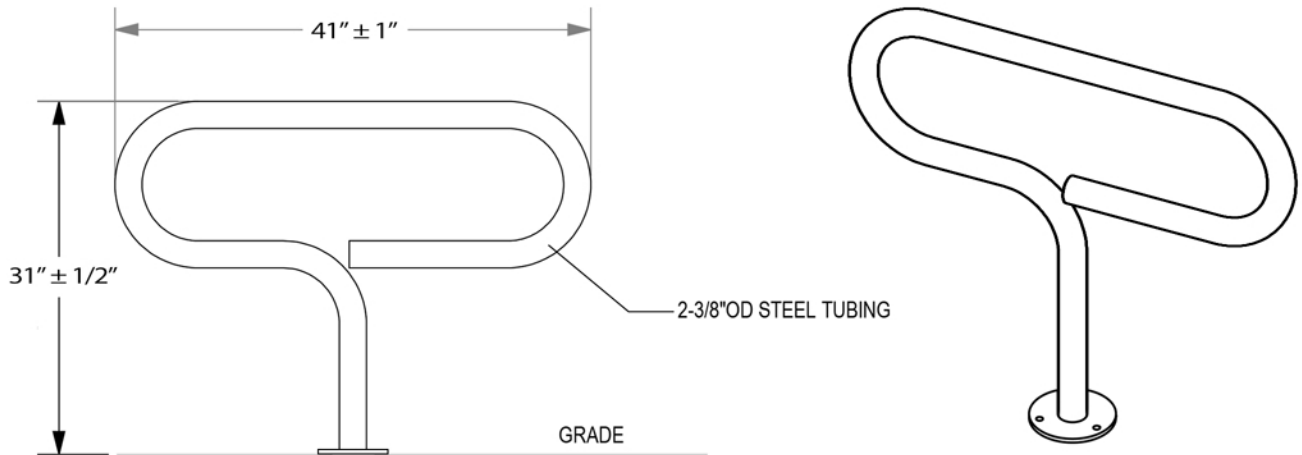


DURA BIKE RACKS

A DIVISION OF HANNAN SPECIALTIES INC.

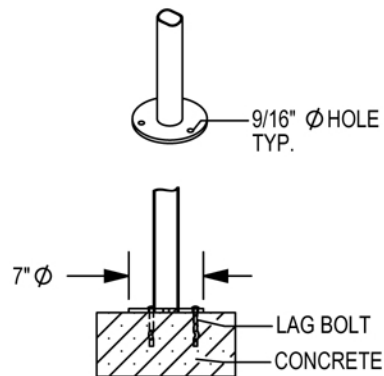
Made in the USA

DIMENSION SHEET FOR MODEL : KEY-2-SF-P (Hoop Style Bicycle Rack)



ELEVATION VIEW
1 HOOP - 2 BIKE CAPACITY

Mount Option:	
<input checked="" type="checkbox"/> Surface Flange (SF)	<input type="checkbox"/> In Ground (IG)
Finish:	
<input checked="" type="checkbox"/> Powder Coat (P)	<input type="checkbox"/> Hot-Dip Galvanized (G)
<input type="checkbox"/> Stainless Steel (S)	
Powder Coat Color:	
<input type="checkbox"/> Black	<input type="checkbox"/> Silver Gray
<input type="checkbox"/> Pearl White	<input type="checkbox"/> Mesa Tan
<input type="checkbox"/> Graphite	<input checked="" type="checkbox"/> Light Blue
<input type="checkbox"/> Anti-Graffiti Clear Coat	<input type="checkbox"/> Fire Engine Red
Rack Options:	
<input type="checkbox"/> Grout Covers (GC)	



SURFACE FLANGE MOUNT (SF)

www.durabikelocker.com
4019 LEOS LN. #3 - CARMICHAEL, CA 95608
(916) 488-7026 - (800) 722-BIKE (2453)

Qty: 1 Approved Date: _____

Please Sign Here: _____

For Your Approval, This Is Used As A Submittal