

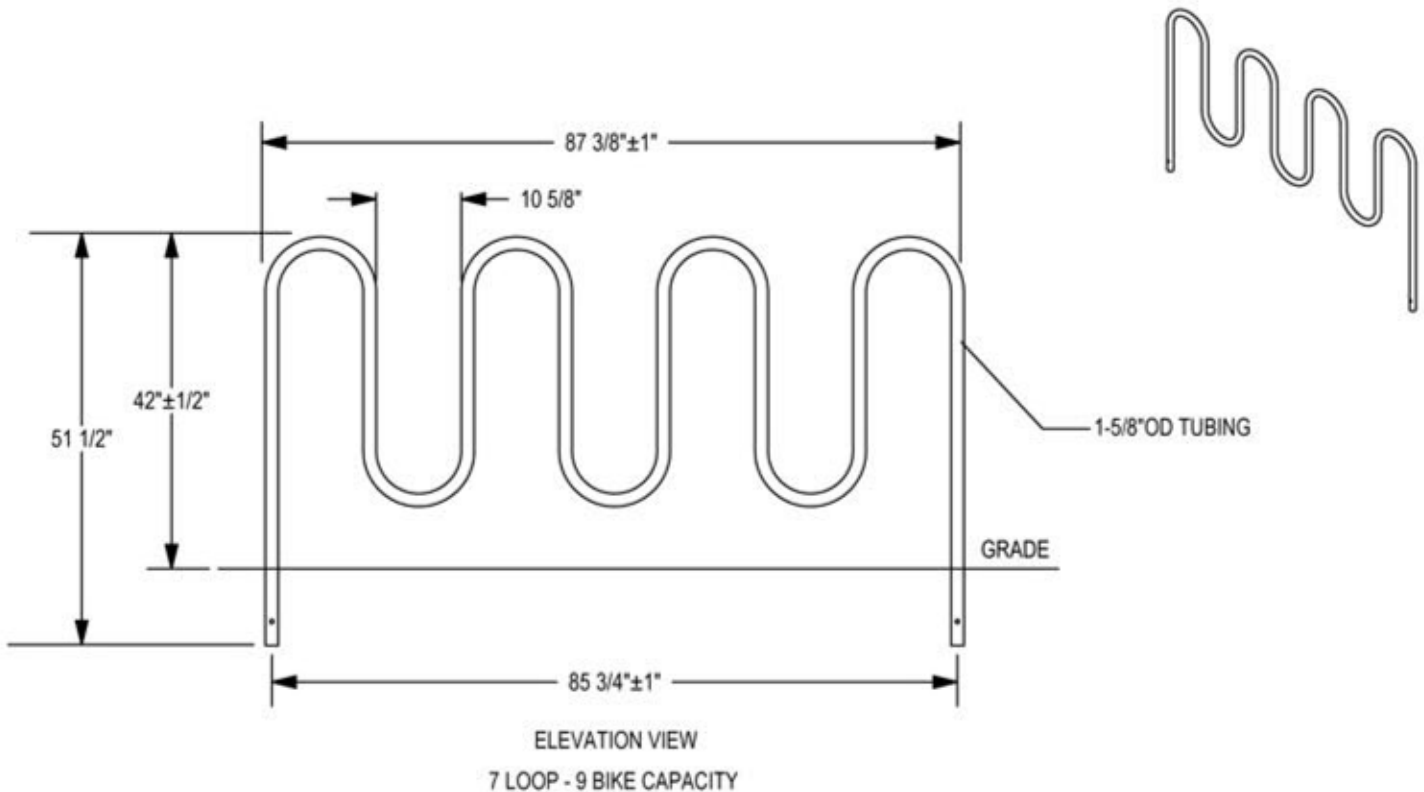


# DURA BIKE RACKS

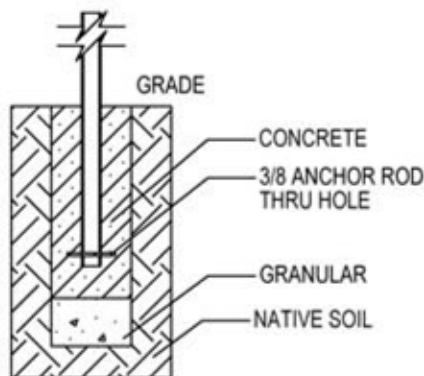
A DIVISION OF HANNAN SPECIALTIES INC.

Made in the USA

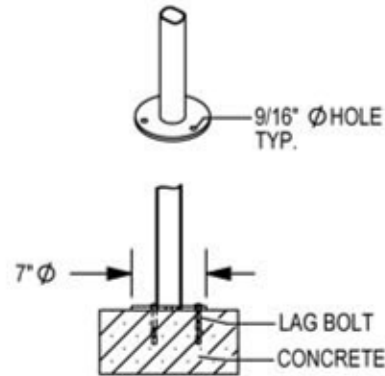
## DIMENSION SHEET FOR MODEL : WP158-9-IG(SF,SG) (Winder-Plus Bike Rack)



CHECK DESIRED MOUNT



IN GROUND MOUNT (IG)



SURFACE FLANGE MOUNT (SF)

SECTION VIEWS

[www.durabikelocker.com](http://www.durabikelocker.com)  
4019 LEOS LN. #3 - CARMICHAEL, CA 95608  
(916) 488-7026 - (800) 722-BIKE (2453)