

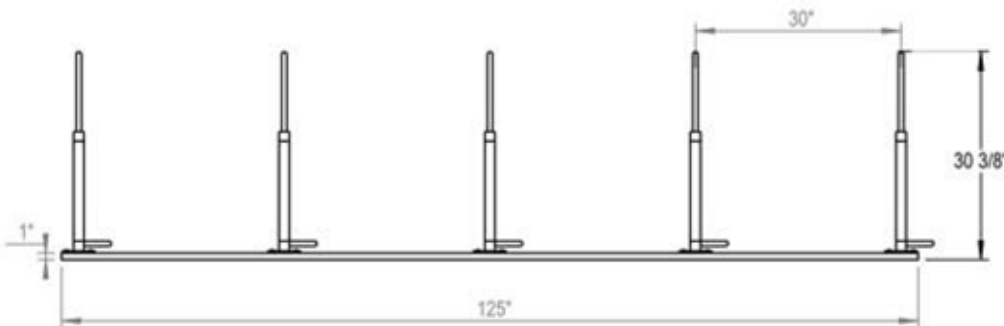
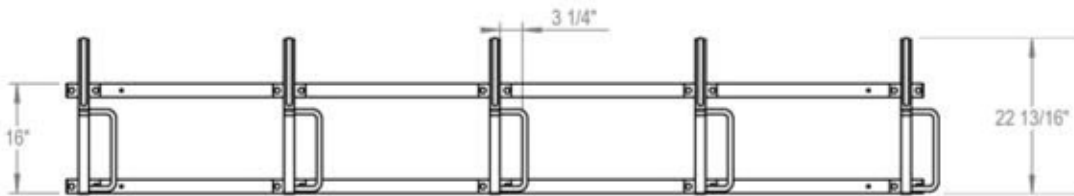
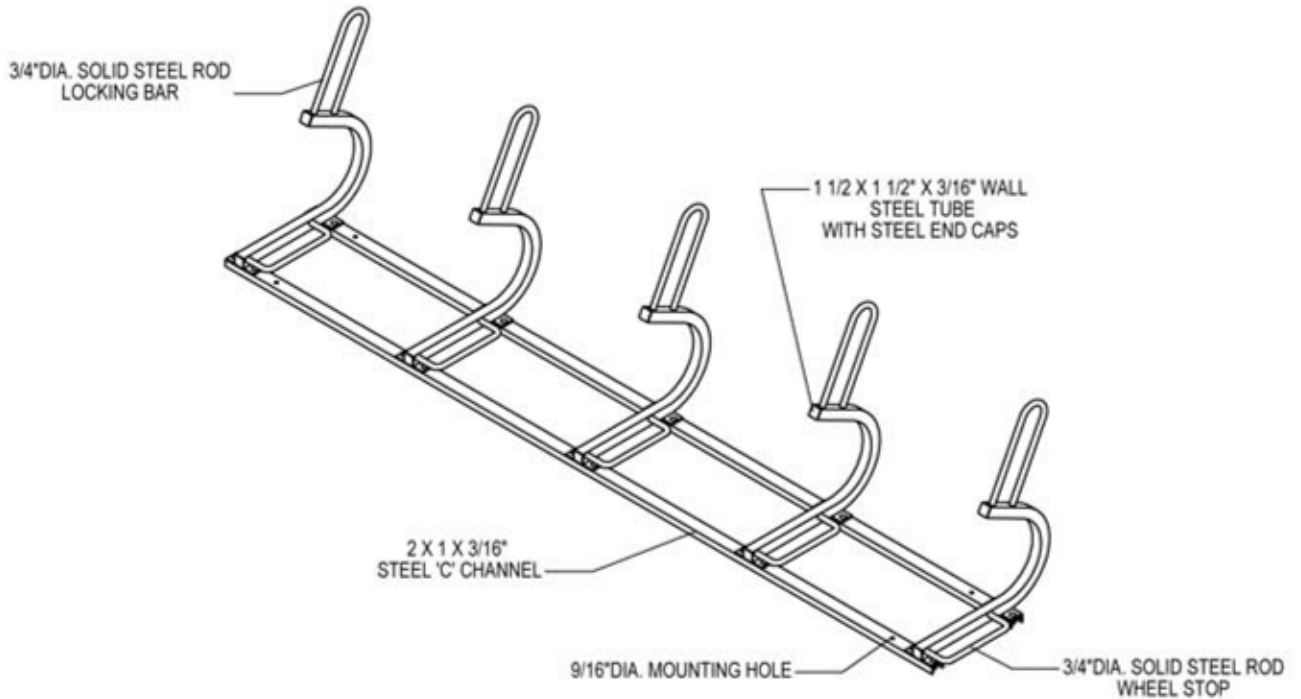


DURA BIKE RACKS

A DIVISION OF HANNAN SPECIALTIES INC.

Made in the USA

DIMENSION SHEET FOR MODEL : SEN-SNG-5 (Sentry Bike Rack)



www.durabikelocker.com
4019 LEOS LN. #3 - CARMICHAEL, CA 95608
(916) 488-7026 - (800) 722-BIKE (2453)